

# Series **SSN800**

- Dairy • Caustic Materials • Air / Water
- Chemical Transfer / Food Transfer

**To handle 3/4" or 1" I.D. hose.**

- Narrow frame and compact mounting base.
- Non-sparking ratchet assembly.
- Decutching arbor to prevent damage from reverse winding.
- Standard inlet: 90° stainless steel ball bearing swivel joint, 1" female NPT threads.
- Standard outlet: 1" female NPT threads.
- Standard pressures to 1000 psi (69 bar).
- Standard fluid temperatures from -40° F to +250 °F (-40° C to +121° C). Optional temperature ratings available - consult factory.
- Consult factory for other pressures and temperatures.
- 4-way roller assembly.
- Constant tension is available – consult factory.
- 304 stainless steel construction.



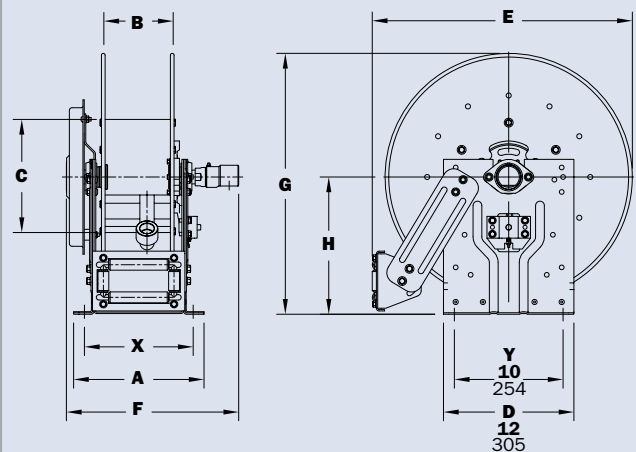
Standard SR configuration shown with optional polished finish

**PARTS DRAWING – ISO 173**

Model Number	Hose Capacity of Reel feet m			Approx. Weight lb. kg			Std. Roller Assy.	Reel Dimensions*** in. mm							
	I.D. in. mm	3/4 19	1 25	NET	UPS/ FedEx SHIP Wt.	Freight SHIP Wt.		A	B	C	E	F	G	H	X
	O.D. in. mm	1-9/32 33	1-1/2 40												
<b>SSN816-19-20-10.5J</b>	<b>25</b>	<b>15</b>	<b>75</b>	<b>83*</b>	<b>110</b>	<b>N204S</b>	<b>10</b>	<b>4</b>	<b>10.5</b>	<b>20.75</b>	<b>14.12</b>	<b>20</b>	<b>10.62</b>	<b>8</b>	
	8	5	34	38	50		254	102	267	527	359	508	270	203	
† <b>SSN818-23-24-10.5J</b>	<b>50</b>	<b>25</b>	<b>87</b>	-	<b>122</b>	<b>N206S</b>	<b>12</b>	<b>6</b>	<b>10.5</b>	<b>24</b>	<b>16.12</b>	<b>24</b>	<b>12.62</b>	<b>10</b>	
	15	8	39	-	55		305	152	267	610	409	610	321	254	
<b>SSN816-25-26-10.5B</b>	<b>60</b>	<b>35</b>	<b>96</b>	-	<b>131</b>	<b>N204S</b>	<b>10</b>	<b>4</b>	<b>10.5</b>	<b>25.5</b>	<b>14.12</b>	<b>26</b>	<b>13.62</b>	<b>8</b>	
	18	11	44	-	59		254	102	267	648	359	660	346	203	
<b>SSN818-25-26-10.5B</b>	<b>70</b>	<b>50</b>	<b>102</b>	-	<b>137</b>	<b>N206S</b>	<b>12</b>	<b>6</b>	<b>10.5</b>	<b>25.5</b>	<b>16.12</b>	<b>26</b>	<b>13.62</b>	<b>10</b>	
	21	15	46	-	62		305	152	267	648	409	660	346	254	
† <b>SSN818-25-26-10.5G</b>	<b>75</b>	-	<b>108</b>	-	<b>143</b>	<b>N206S</b>	<b>12</b>	<b>6</b>	<b>10.5</b>	<b>25.5</b>	<b>16.12</b>	<b>26</b>	<b>13.62</b>	<b>10</b>	
	23	-	49	-	65		305	152	267	648	409	660	346	254	

**Notes:**

1. Specifications subject to change.
  2. Reel models and capacities shown are for standard drag applications; for vertical lift applications, consult factory.
  3. Other sizes, from standard components, available on request.
  4. Finish: Refer to page 2.
  5. **Be sure to check dimensions and weights prior to ordering.**
- NOTICE:** A flexible connector must be used between the inlet pipe and the inlet swivel joint.
- \* Dimensional weight applies when shipped as a parcel package (via FedEx or UPS Ground).
- \*\*\*X, Y indicate mounting holes. See page 2.
- †Capacity based on low pressure air hose only. Not for vertical lift applications.



**Available Roller Positions**

